

▶ CADPXS DuraAir MFB Pro



CADPXS DURAAIR MFB PRO CRAWLSPACE VENTILATOR FAN, DUAL FANS VENTILATOR WITH DEHUMIDISTAT + FREEZE PROTECTION THERMOSTAT, FOR VENTILATED CRAWL SPACES, 220 CFM (AIR OUT).

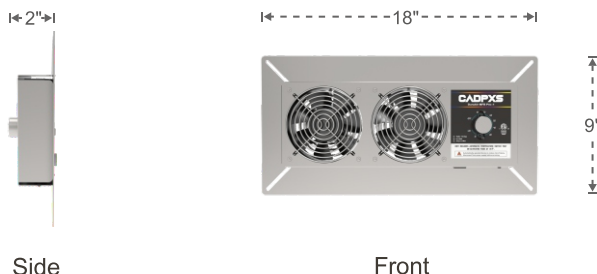
DuraAir MFB Pro

DESCRIPTION

- ▼ Air Out. 18" x 9" x 2". Dual fans with 6.56 foot grounded power cord. Airflow: 220 CFM. Ventilate a wet crawl space. Exchange the outdoor and indoor air, improve room air quality and balance the humidity.
- ▼ Built-in dehumidistat (20% - 80% RH Range). Exhausts vent radon gas, treated wood gases and odors, prevents migrating into living areas.
- ▼ Freeze protection thermostat: Dehumidistat control also will not operate if the freeze protection thermostat senses low outdoor temperatures.
- ▼ CADPXS DuraAir MFB Pro Crawl Space Foundation Dual Fans Ventilator with thermostat, designed to control the temperature and humidity levels of your crawlspace, basement, attic, and garage, Increases air circulation to protect home and occupants.
- ▼ Warranty: The warranty is effective for 1 year from the purchase date. Please don't hesitate to contact us if there is any question, we will reply to you within 24 hours and help you solve the problems. CADPXS customer support team is always just one-email away.

SPECIFICATIONS

Air flow: 220 CFM
Power: 45 W
Circuit protector: 15 Amp
Size: 18 x 9 x 2 inches
Dehumidification state: Humidity range 20% to 80%
Power: 115V~50/60Hz
Thermostat: On at 50°F; OFF at 35°F
You can trim the minimum mounting plate to: 14" x 6"
Static Pressure: 5.46 mm-H ₂ O
Operating Voltage: 12V AC
Size for(Sq.Ft): 420 Sq.Ft
Sound Pressure Level(dBa): 48 dBa



BENEFITS

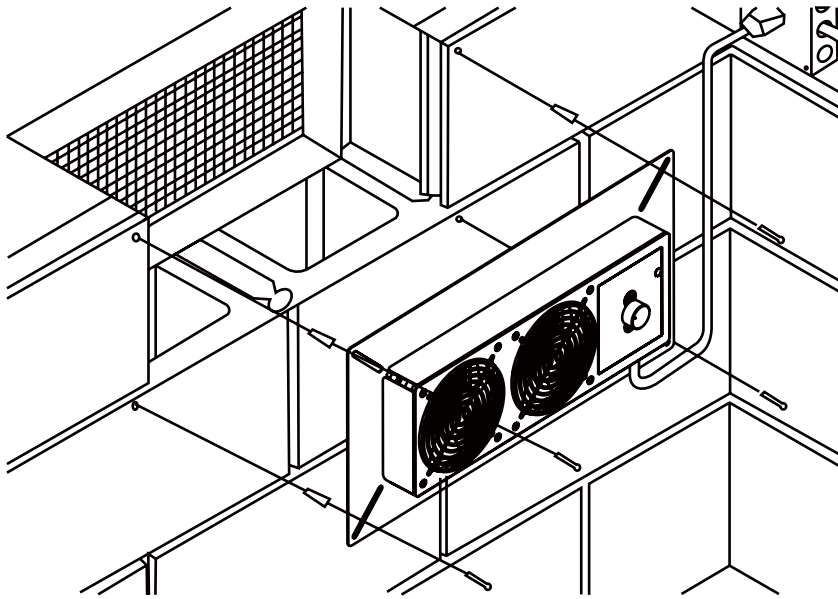
- + Carpet Cleaning
- + Basements / Cellars
- + Laundries
- + Offices
- + Laboratories
- + Garages
- + Living room
- + Storeroom
- + Garages
- + Bedroom
- + Kitchen

FEATURES

- ✓ Quiet 220 CFM Ball Bearing Motor
- ✓ Quick And Simple Solution For Under ventilated Crawlspace
- ✓ Super Tough Polypropylene
- ✓ Dries Crawlspace Gradually
- ✓ Humidity Sensor For Automatically Operation
- ✓ Thermostat Shuts Fan Off At Low Temperatures
- ✓ Upgrades Your Present Foundation Vent
- ✓ Easy Installation In A Variety Of Constructions
- ✓ Mounts Behind Foundation Vent For Invisible Operation



BUILT TO LAST. BUILT PERFORM.



Location:

If the low-rise fan ventilators are installed in the crawl space at the back of an existing foundation ventilation opening, it should be at a distance of not more than three feet from each corner.

Note:

Install the fan in the climbing space. See to it that the motor and electrical control box face the climbing space.

1. Get rid of the coverings or existing doors on the building's ventilation holes.
2. The low-rise fan should be placed above the building's vent.
3. If you mount the unit on a brick or foundation block, mark the aligning on the corners of the metallic panel. Drill a 5/16-inch hole to attach the wall anchor in the vent's opening. Finally, use four screws to fix the climbing ventilator onto the wall.
4. If installed on a wooden frame, attach the mesh or rim on the crawl space vent. Use nuts and screw washers to mount the crawl space ventilator on all corners of the metal panel.

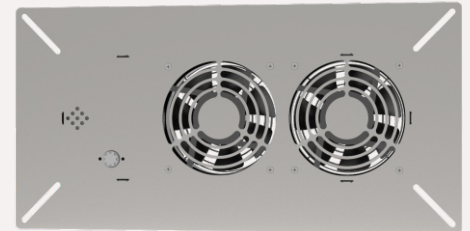
WHAT CAN WE BENEFIT FROM A DURAAUR MFB PRO?

1. CADPXS Crawl Space ventilator allows for the free circulation of air in the porch and under the house, improve room air quality, and balance the humidity.
2. Designed to control the temperature and humidity levels of your crawlspace, basement, attic, and garage.
3. Reduces moisture in crawl spaces/foundation to protect home and occupants.
4. Increases air circulation, Exhausts vent radon gas, treated wood gases, and odors prevents migrating into living areas.



Front

Large face-plate dual fans with 8.2 foot grounded power cord includes thermostat, dehumidistat. Crawl space fans quickly exhaust moisture and odors to the outdoors through existing passive vents.



Back

Durable and stubborn aluminum zinc shell, the shell made of aluminum zinc, ideal for work in a humidity environment, don't worry it will rust.

The CADPXS team is available Monday - Friday, 8 am - 5 pm UTC.

We want to hear from you, so don't hesitate to reach out.

Need help with a warranty claim?

Contact us at (888)503-0618.

Contact Customer Service at support@cadpxs.com.

www.cadpxs.com